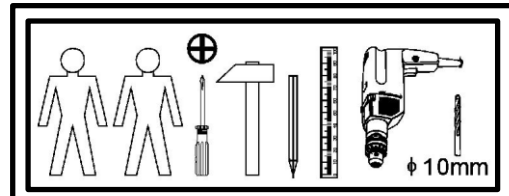
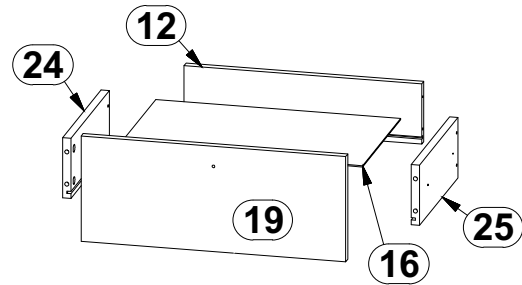
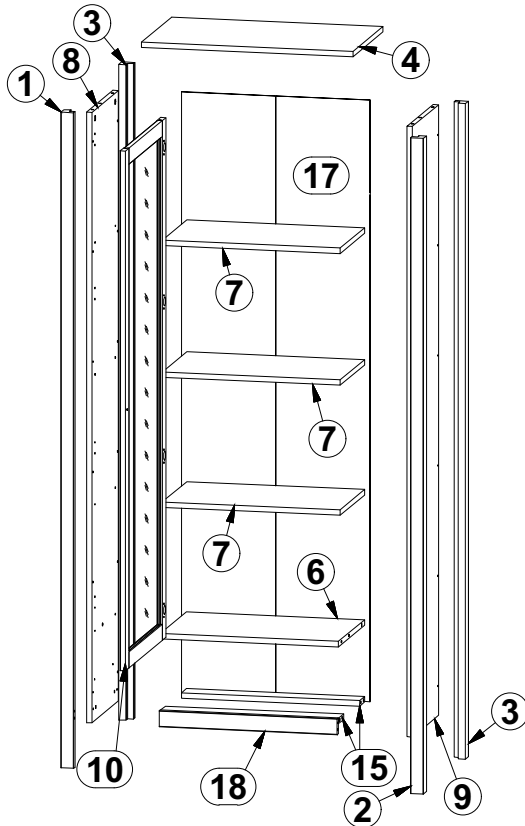


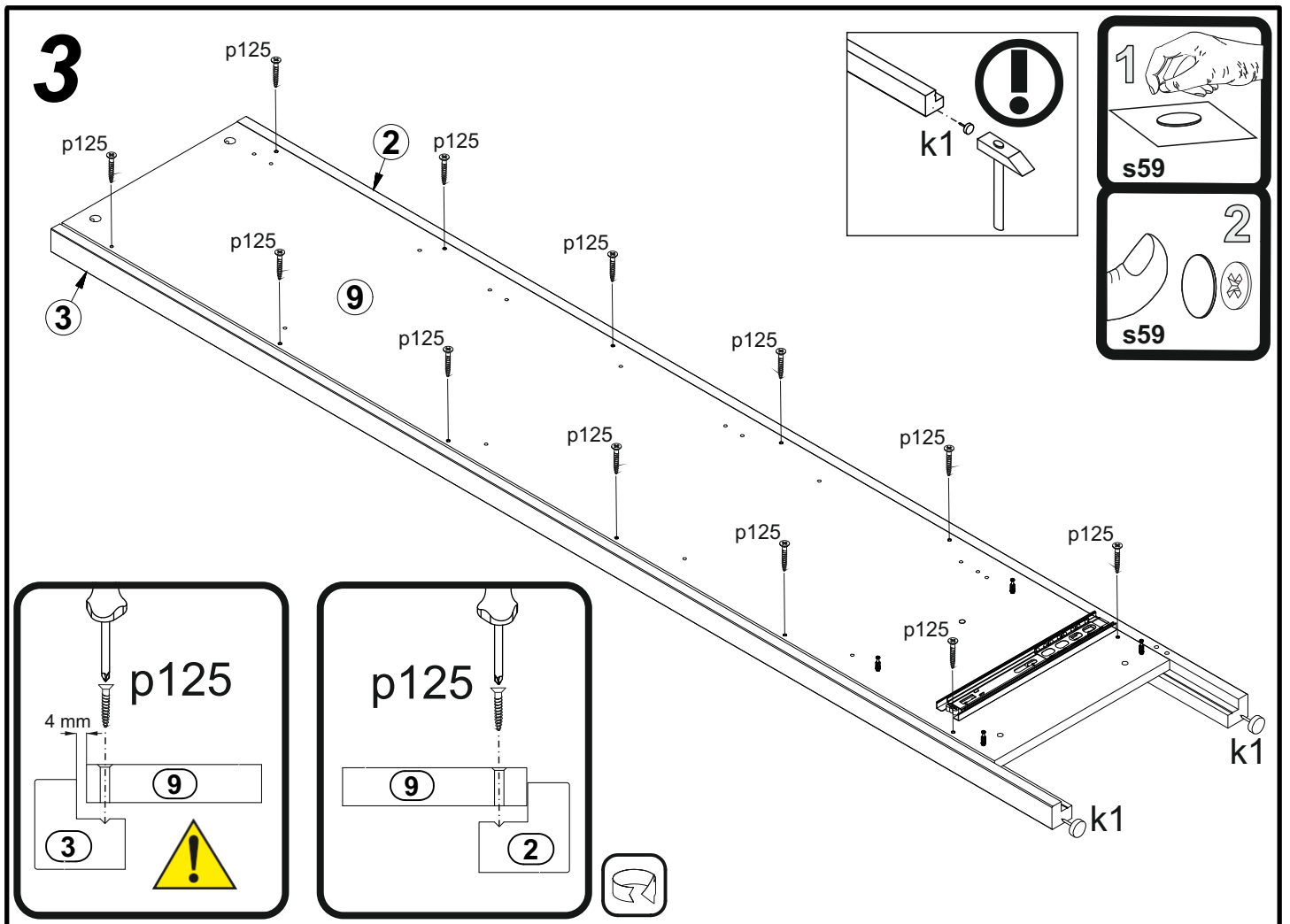
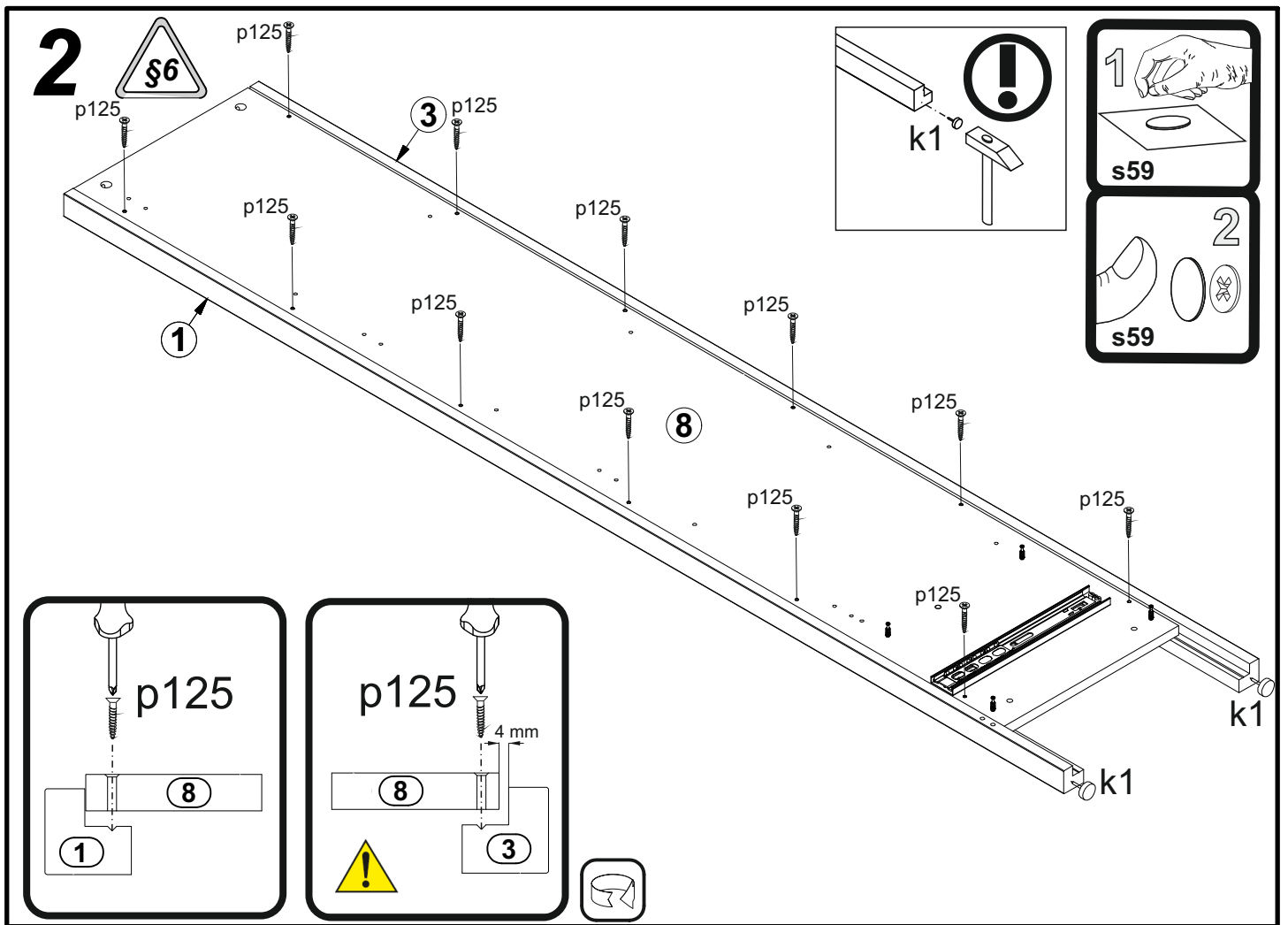
LOFTA

B156-REG1W1S

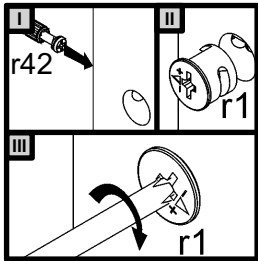
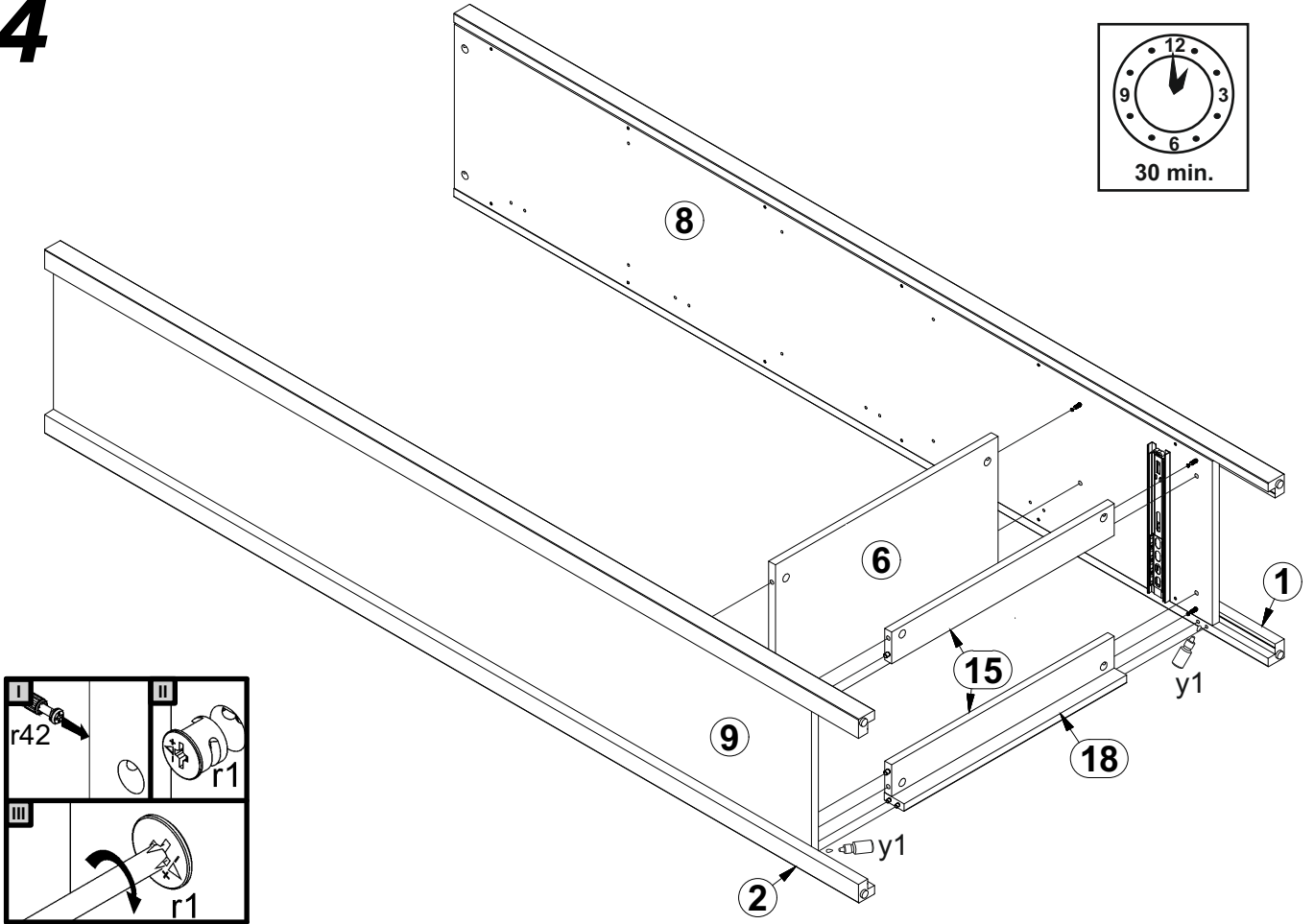
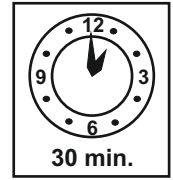
A	B	C			D	E
1	B156-1559	1904	38	38	1	2½
2	B156-1560	1904	38	38	1	2½
3	B156-1515	1904	38	38	2	2½
4	B156-211	618	382	16	1	1½
6	B156-303	521	333	16	1	1½
7	B156-304	520	310	16	3	1½
8	B156-131	1773	333	16	1	2½
9	B156-132	1773	333	16	1	2½
19	B156-004	515	209	16	1	2½
10	B156-005	1509	515	16	1	2½
12	B156-504	463	120	12,16,18	1	1½
24	B156-501	300	120	16	1	1½
25	B156-502	300	120	16	1	1½
15	B156-403	521	64	16	2	1½
16	B156-904	477	298	2,5	1	1½
17	B156-906	1747	551	2,5	1	2½
18	B156-1516	521	46	16	1	1½
-					1	1½



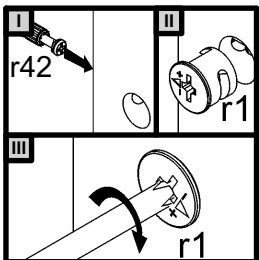
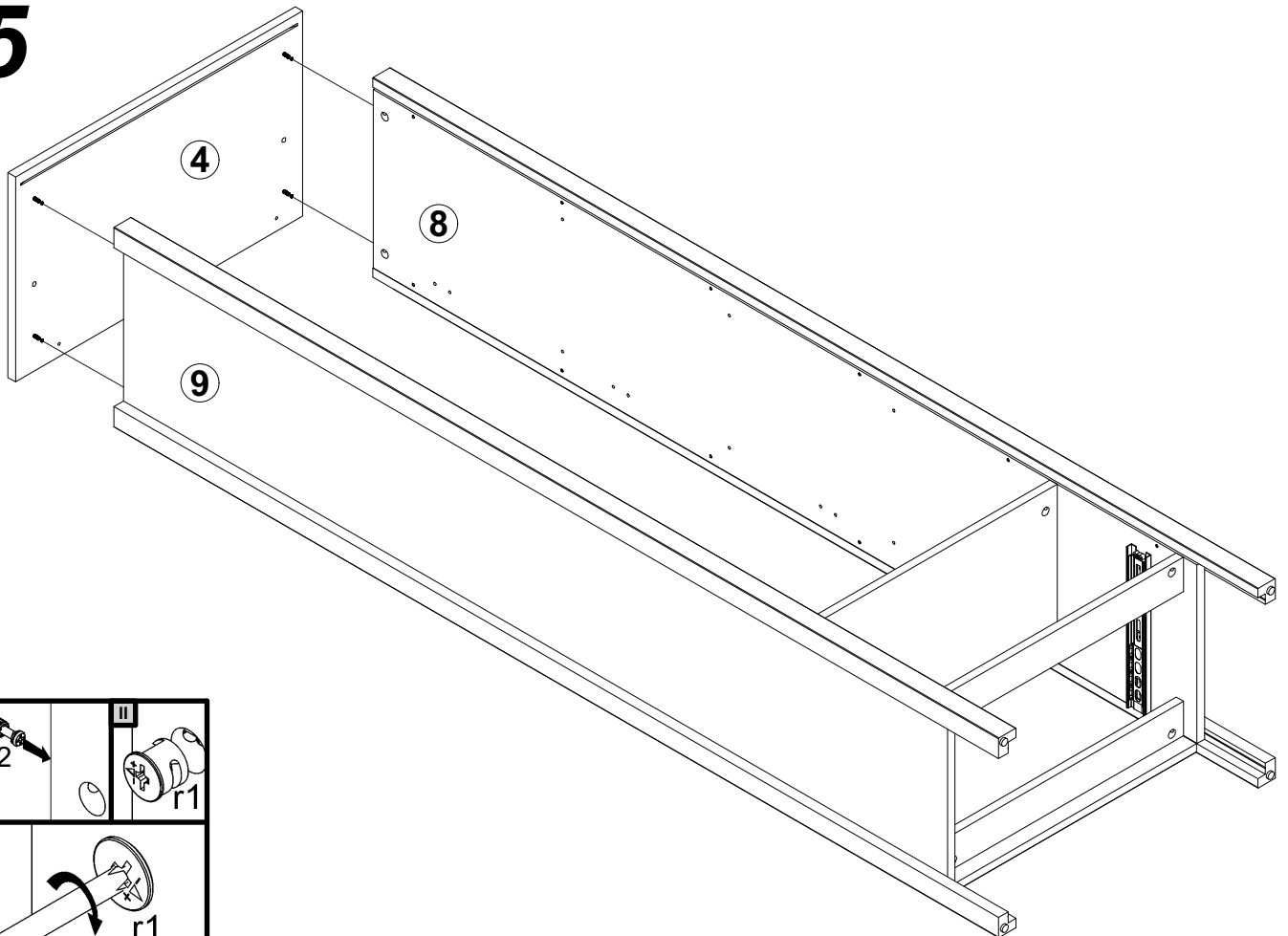
4x a1	4x b1	2x c257	12x d1 x17 mm	1x d5	8x f1 x30 mm	4x f9 x30 mm
1x f35 x50 mm	2x j1 M4x20 mm	4x k1	8x l1	12x l2	1x n26	4x p10 x40 mm
1x p17 x60 mm	8x p27 x13 mm	1x p38 x16 mm	24x p125 x30 mm	16x r1 x12mm	16x r42 20/11	8x s2 16
8x s4 5	25x s59	1x y1 GLUB	2x HШ300/1	2x HШ300/2		



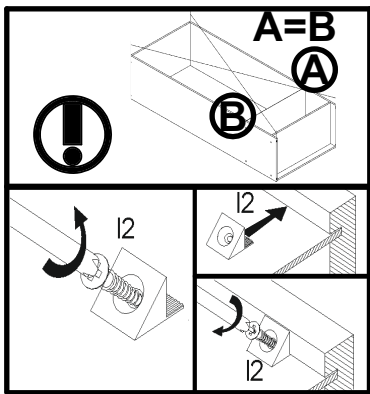
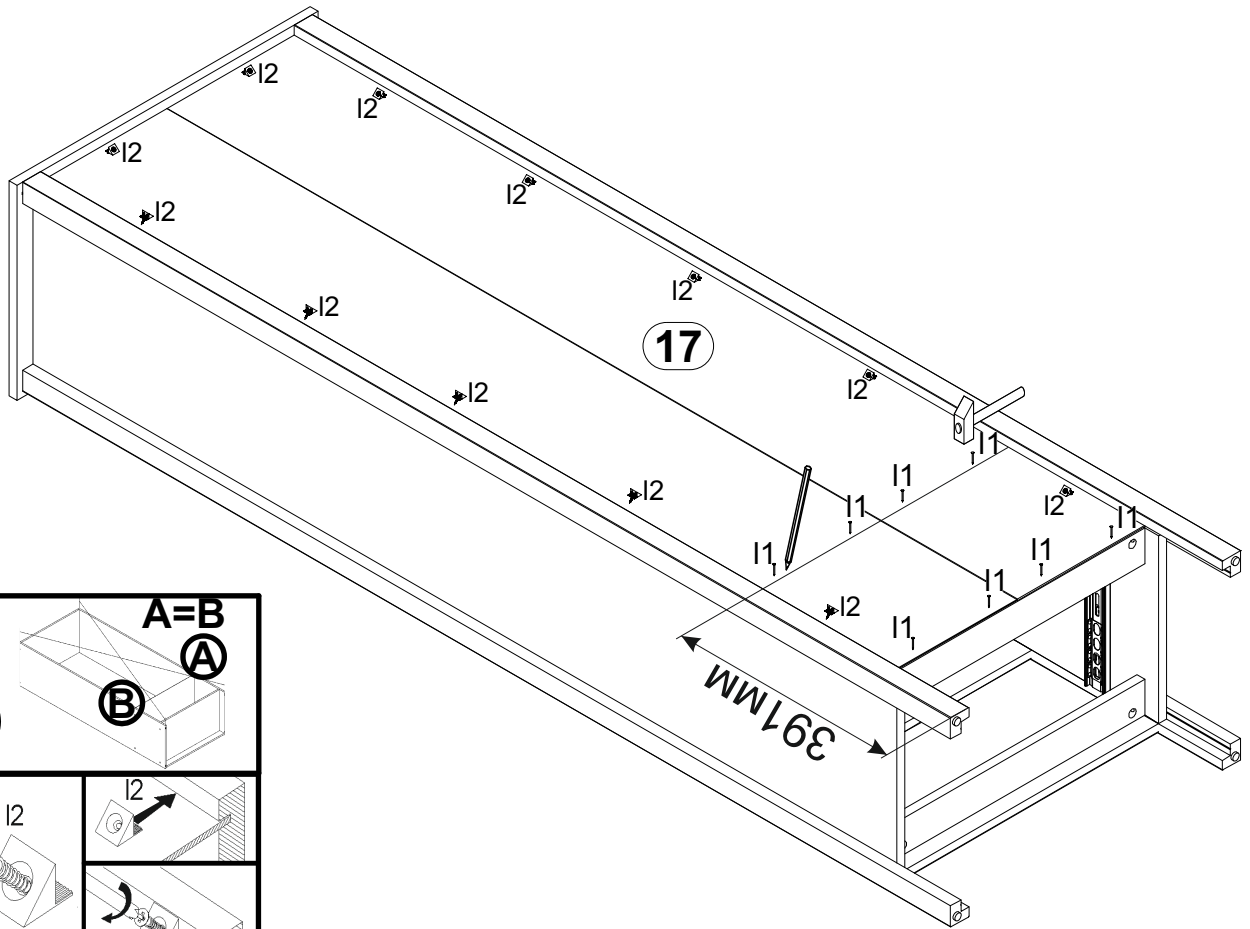
4



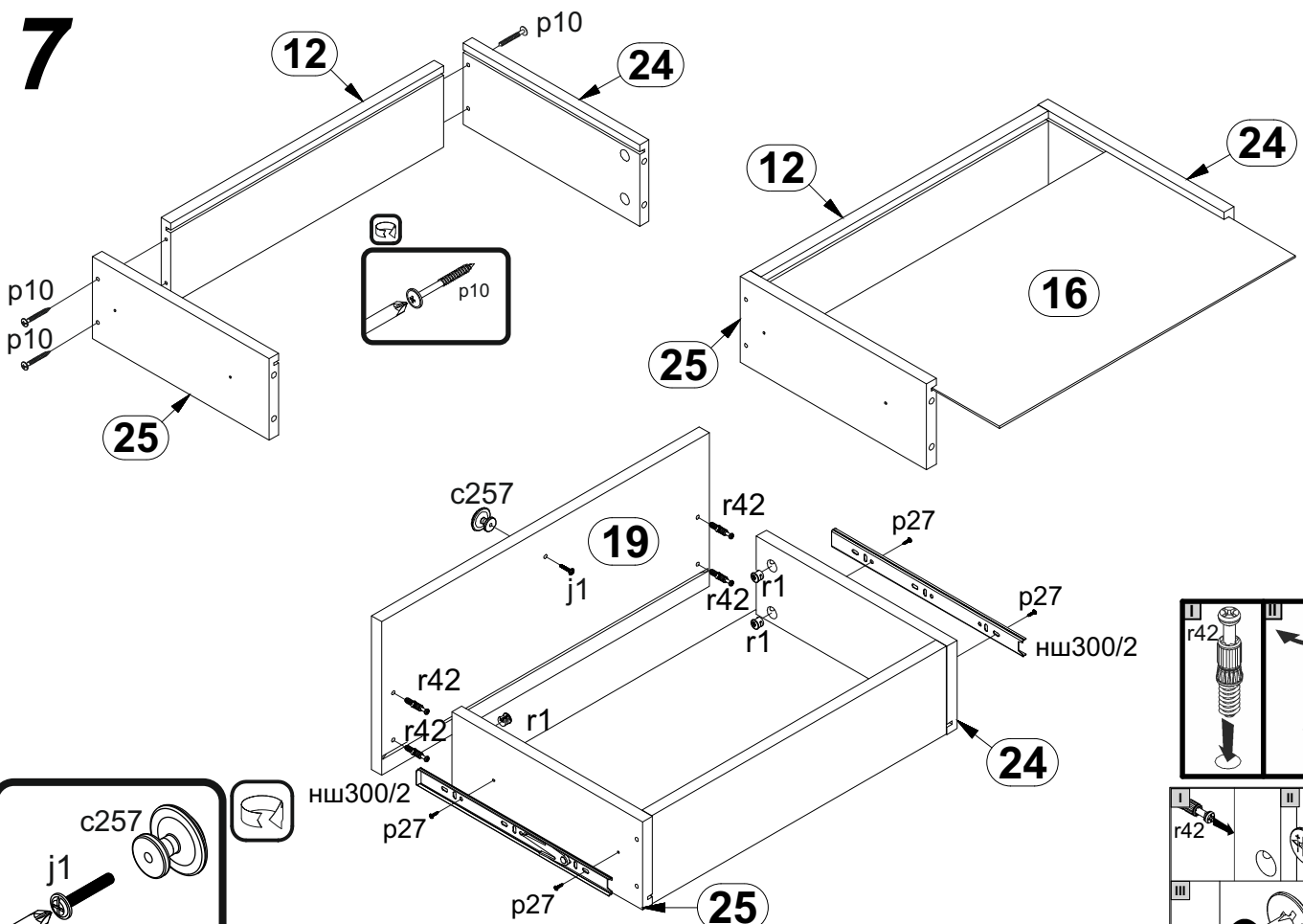
5



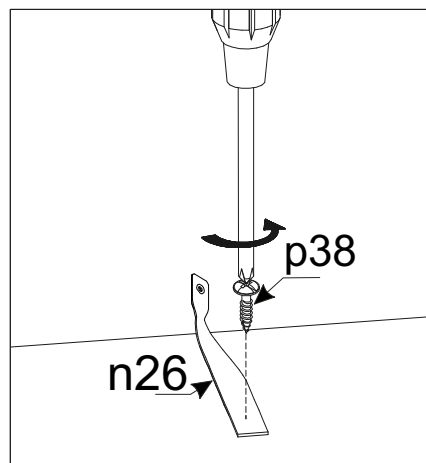
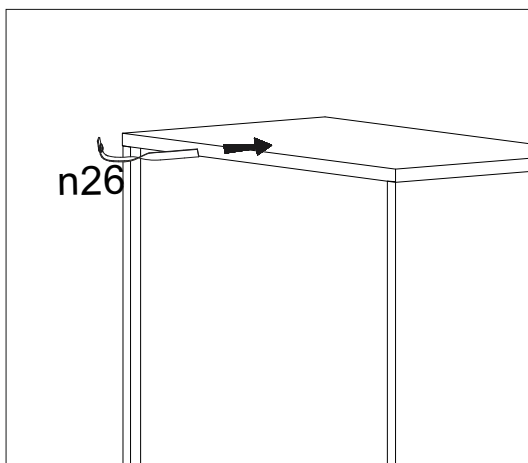
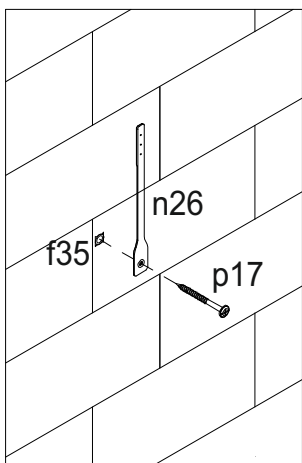
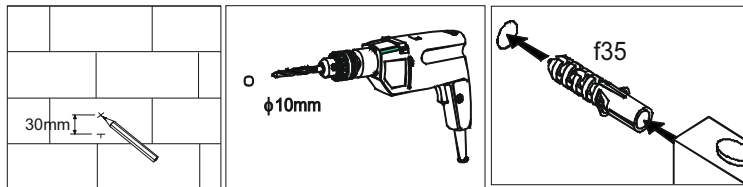
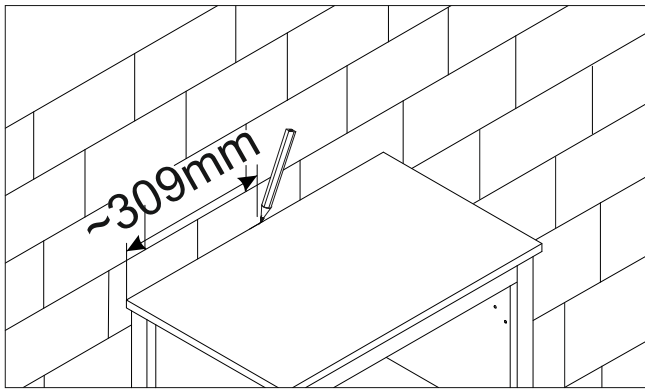
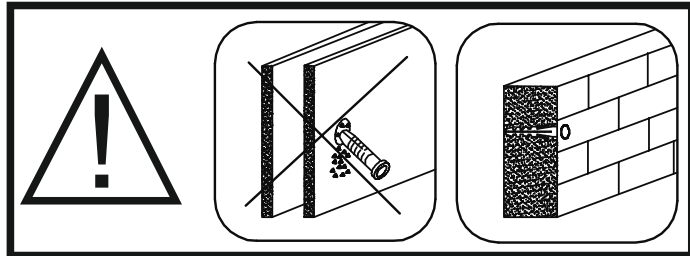
6



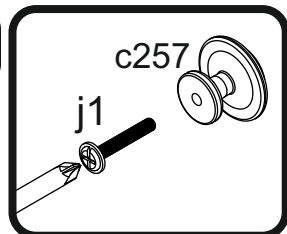
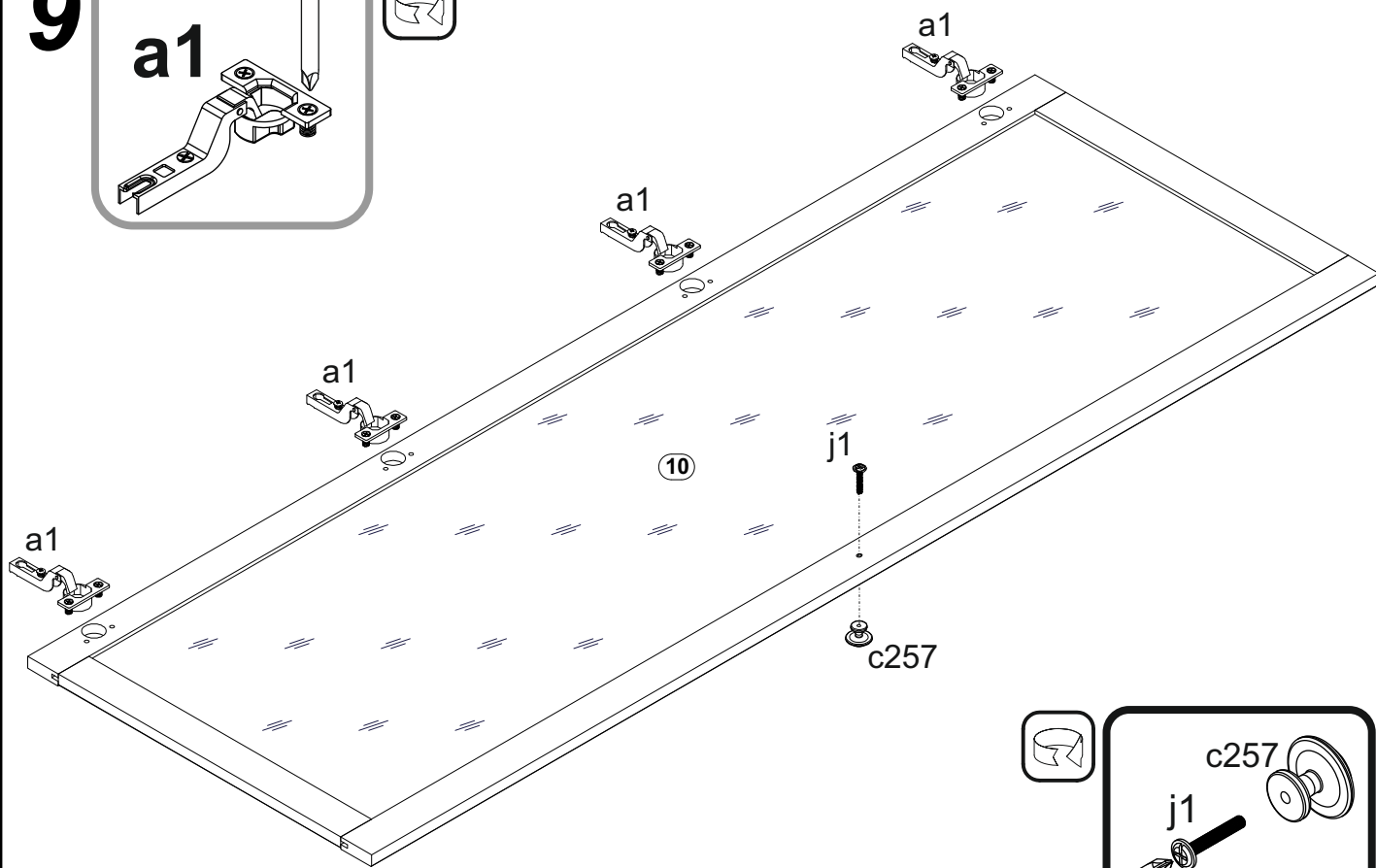
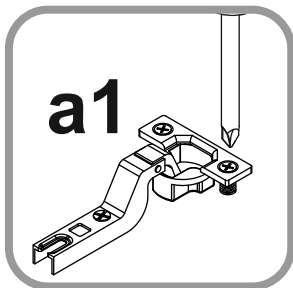
7



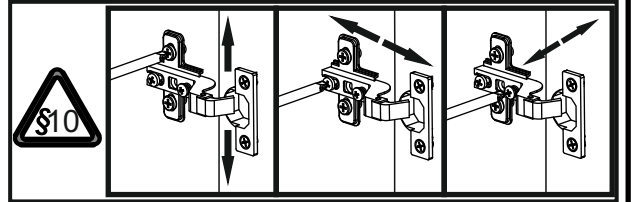
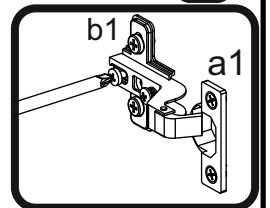
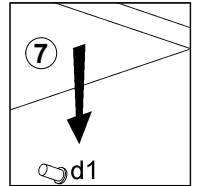
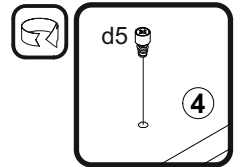
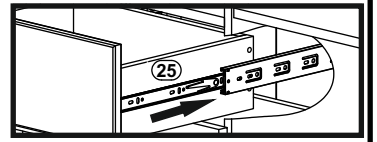
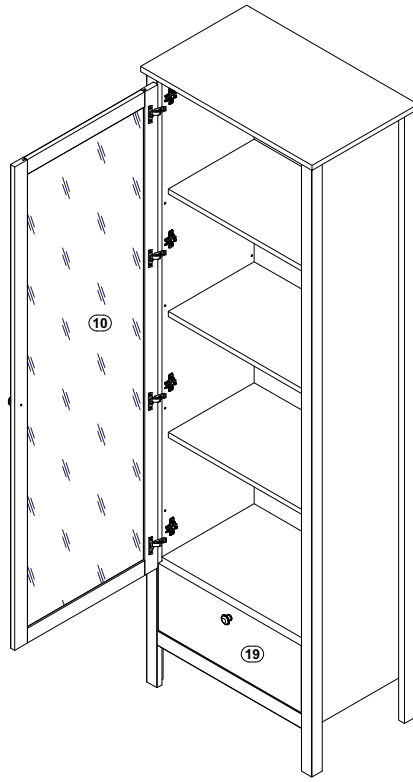
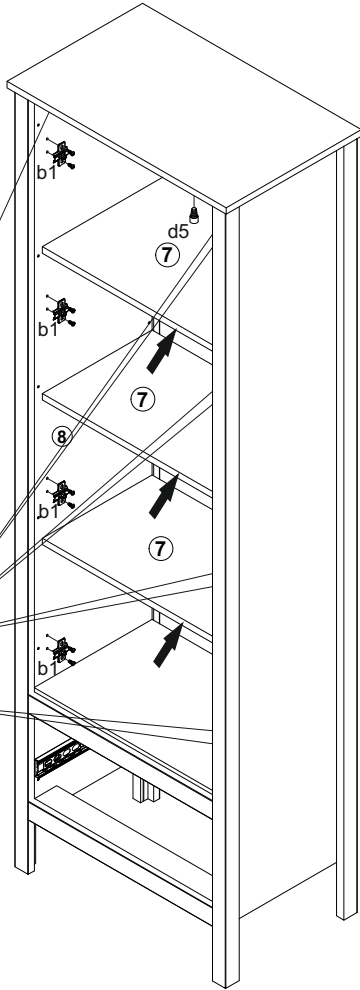
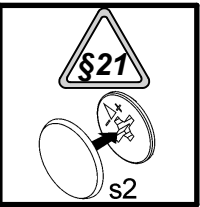
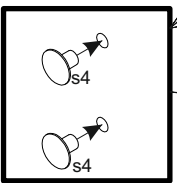
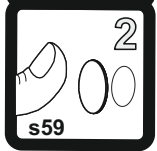
8



9



10L



10R

